

Mod. SUPER SIM 24V



OPERATORE IRREVERSIBILE PER CANCELLI SCORREVOLI
OPERATEUR IRREVERSIBLE POUR PORTAILS COULISSANTS
IRREVERSIBLE OPERATOR FOR SLIDING GATES
SELBSTHEMMENDER TORANTRIEB FÜR SCHIEBETOREN
OPERADOR IRREVERSIBLE PARA VERJAS CORREDERAS



IMPORTANT SAFETY INSTRUCTIONS FOR THE INSTALLATION

**-ATTENTION –
FOR THE SAFETY OF THE PEOPLE IT IS IMPORTANT
TO FOLLOW ALL THE INSTRUCTIONS.**

FOLLOW ALL INSTALLATION INSTRUCTIONS

1° -This handbook is exclusively addressed to the specialized personnel who knows the constructive criteria and the protection devices against the accidents for motorized gates, doors and main doors (follow the standards and the laws in force).

2° -The installer will have to issue to the final user a handbook in accordance with the EN 12635.

3° -Before proceeding with the installation, the installer must forecast the risks analysis of the final automatized closing and the safety of the identified dangerous points (following the standards EN 12453/EN 12445).

4° -The wiring harness of the different electric components external to the operator (for example photoelectric cells, flashlights etc.) must be carried out according to the EN 60204-1 and the modifications to it done in the point 5.2.2 of the EN 12453.

5° -The possible assembly of a keyboard for the manual control of the movement must be done by positioning the keyboard so that the person operating it does not find himself in a dangerous position; moreover, the risk of accidental activation of the buttons must be reduced.

6° -Keep the automatism controls (push-button panel, remote control etc.) out of the children way. The controls must be placed at a minimum height of 1,5mt from the ground and outside the range of the mobile parts.

7° -Before carrying out any installation, regulation or maintenance operation of the system, take off the voltage by operating on the special magnetothermic switch connected upstream it.

THE ALLMATIC COMPANY DOES NOT ACCEPT ANY RESPONSIBILITY for possible damages caused by the non observance during the installation of the safety standards and of the laws in force at present.

KEEP THESE INSTRUCTIONS WITH CARE

1° -Install a thermal magnetic switch (omnipolar, with a minimum contact opening of 3 mm) before the control board, in case this is not provided with it. The switch shall be guaranteed by a mark of compliance with international standards. Such a device must be protected against accidental closing (e.g. Installing it inside the control panel key locked container).

2° -As far as the cable section and the cable kind are concerned, ALLMATIC suggests to use an H05RN-F cable, with a minimum section of 1,5mm², and to follow, in any case, the IEC 364 standard and Installation regulations in force in your Country.

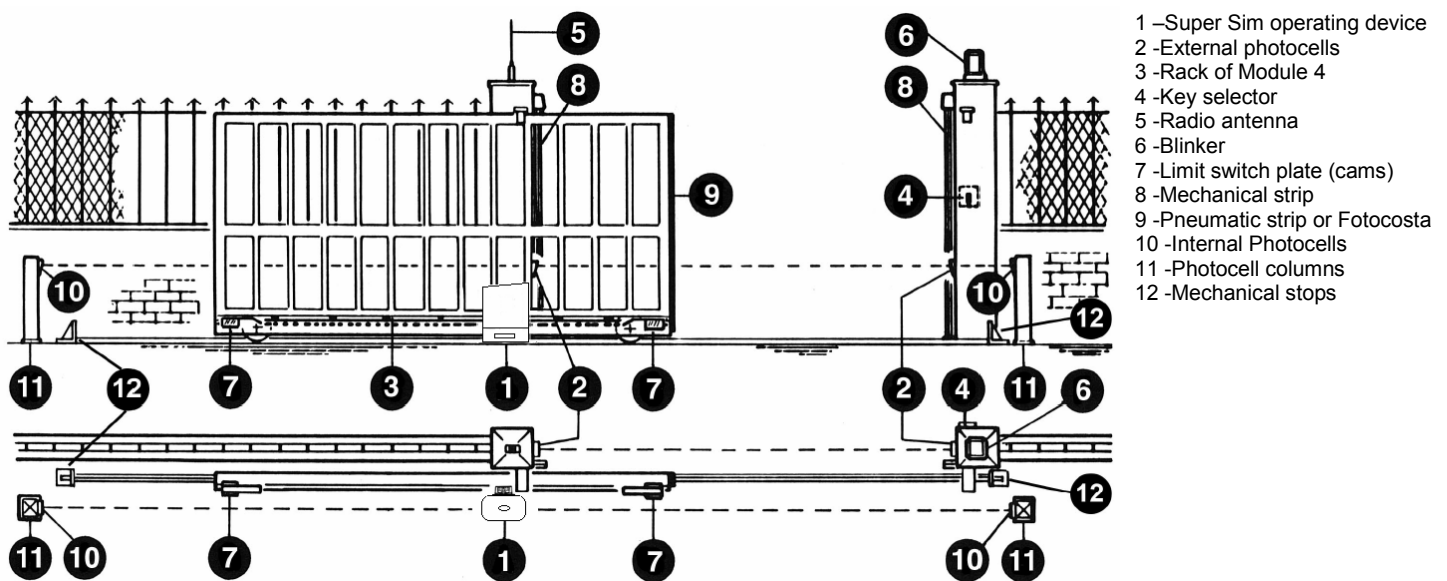
3° -Positioning of an eventual pair of photocells: The beam of the photocells must be at an height not above the 70 cm from the ground, and, should not be more than 20 cm away from the axis of operation of the gate (Sliding track for sliding gate or door, and the hinges for the swing gate). In accordance with the point 7.2.1 of EN 12445 their correct functioning must be checked once the whole installation has been completed.

4° -In order to comply with the limits defined by the EN 12453 norm, if the peak force is higher than the limit of 400N set by the norm, it is necessary to use an active obstacle detection system on the whole height of the gate (up to a maximum of 2,5m) -The photocells in this case must be apply externally between the columns and internally for all the race of the mobil part every 60÷70cm for all the height of the column of the gate up to a maximum of 2,5m (EN 12445 point 7.3.2.1). example: column height 2,2m => 6 copies of photocells -3 internal and 3 external (better if complete of synchronism feature -FIT SYNCRO with TX SYNCRO).

N.B.: The system must be grounded

Data described by this manual are only Indicative and ALLMATIC reserves to modify them at any time. Install the system complying with current standards and regulations.

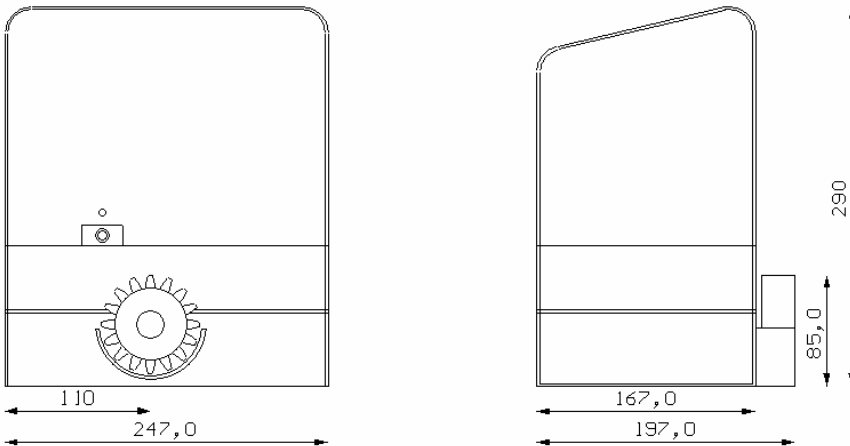
SYSTEM LAY-OUT



- 1 -Super Sim operating device
- 2 -External photocells
- 3 -Rack of Module 4
- 4 -Key selector
- 5 -Radio antenna
- 6 -Blinker
- 7 -Limit switch plate (cams)
- 8 -Mechanical strip
- 9 -Pneumatic strip or Fotocosta
- 10 -Internal Photocells
- 11 -Photocell columns
- 12 -Mechanical stops

TECHNICAL DATA

Irreversible gear motor for sliding gates with maximum weight of 1000 Kg. The irreversibility of this operator arranges that the gate do not need any sort of electric lock for a successful closure.



Technical data		Super SIM 24V
Power supply	(Vcc)	24V
Absorption	(A)	1.3
Power of the motor	(W)	2500
Maximum weight gate	(Kg)	800
Velocity	(m/min)	12
Revolutions of the motor	(rpm)	1800
Service	(%)	60
Degree of protection	(IP)	44
Weight of the operator	(Kg)	9
Noise	(dBA)	<30

INSTALLATION SUPER SIM

PRE-INSTALLATION CHECK

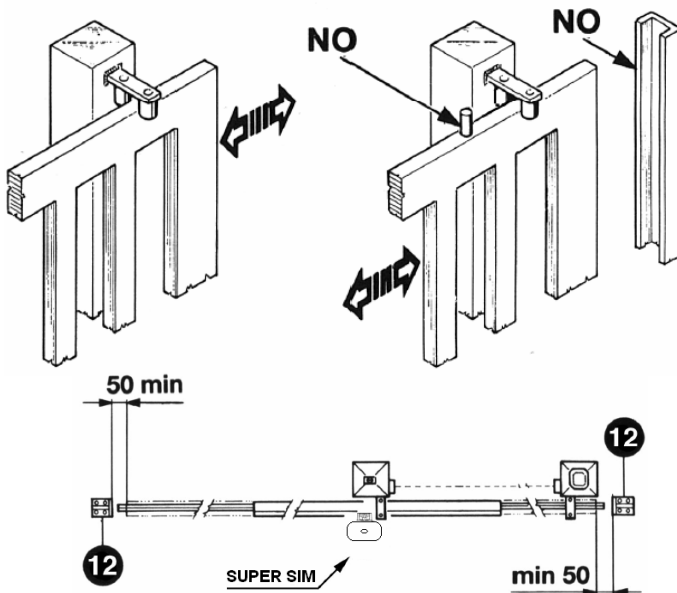
- THE GATE MUST MOVE WITHOUT FRICTIONS

ATTENTION: It is obligatory to conform the characteristics of the wing to the laws in vigour.

The wing can be automatized only if it is in good conditions and if it is in conformity with the EN 12604 norm.

- The wing must not present pedestrian doors. In contrary case appropriate precautions must be taken according to the point 5.4.1 of the EN 12453 (for example to block the movement of the motor when the wicket door is open, thanks to a micro switch appropriately connected to the control unit).
- You must not produce points of trapping (for example between open wing of the gate and rail fence).
- Besides to the limit switches present into the unit, it is necessary the positions of the presence of a fix mechanical stop to each of the two extreme positions of the course, which stops the wing in case of malfunctioning of the limit switches. To make it possible the mechanical limit switch must be dimensioned to sustain the static thrust of the motor and the kinetic energy of the wing.
- The columns of the gate must have some anti-derailment guides on the upper part to avoid involuntary releasings.

ATTENTION: Remove mechanical stops of the type described in the picture. No mechanical stops must be present at the bottom of the gate because they are not enough safe.



Parts to install meeting the EN 12453 standard

COMMAND TYPE	USE OF THE SHUTTER		
	Skilled persons (out of public area*)	Skilled persons (public area)	Unrestricted use
with manned operation	A	B	non possible
with visible impulses (e.g. sensor)	C or E	C or E	C and D, or E
with not visible impulses (e.g. remote controdevice)	C or E	C and D, or E	C and D, or E
automatic	C and D, or E	C and D, or E	C and D, or E

* a typical example are those shutters which do not have access to any public way
 A: Command button with manned operation (that is, operating as long as activated),
 B: Key selector with manned operation
 C: Adjustable power of the motor
 D: Safety edges
 E: Photocells, like code ACG8026 (To apply every 60±70cm for all the height of the column of the gate up to a maximum of 2,5m - EN 12445 point 7.3.2.1)

UNLOCKING SYSTEM WITH LEVER

In case of absence of power supply, the gear motor will be able to be unlocked by turning in clock wise sense the suitable key supplied (right direction, see picture) and drawing the lever to 90°.

To block the motor, take again the unlocking lever into the initial position and turn it in anti-clock wise sense.

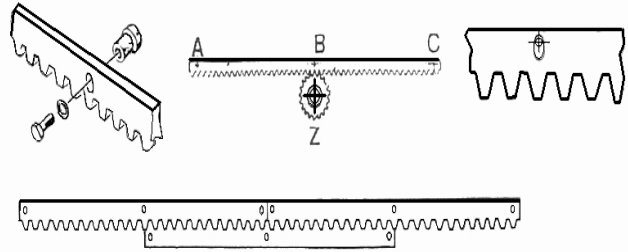


INSTALLATION

ASSEMBLY OF THE GALVANIZED RACK

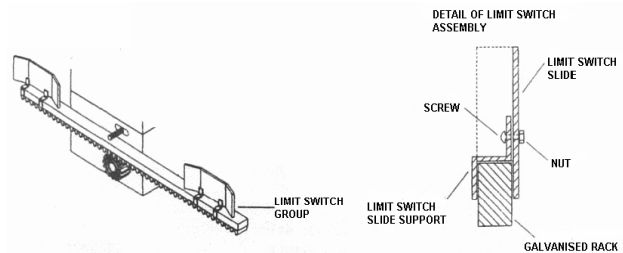
- Unlock the gear motor and bring the door in total opening position.
- Screw the pawls to each element of the rack having care to put them on the upper part of the slot.
- Lean the part of the rack to the pinion of the motor, put in bond and solder the pawls to the gate, repeat the operation described above for the remaining elements of the rack to install.
- Check that all the elements be perfectly lined up and that the gate makes its course without resistance; it is important that the whole rack be lifted of 1-2 mm., to avoid that the weight of the gate loads on the pinion of the motor.

For what concerns the rack in NYLON proceed screwing directly the rack to the gate.



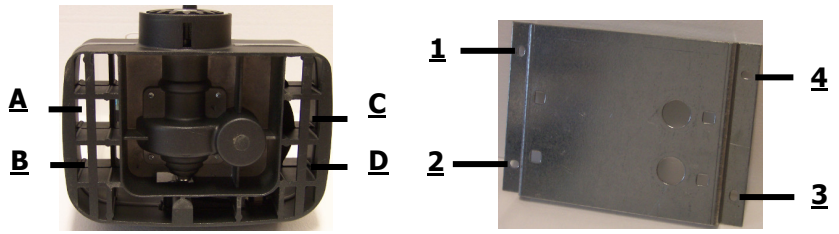
INSTALLATION LATTENS FOR LIMIT SWITCHES

1. Screw the lattens to the angle steel provided.
2. Insert the same on the metallic rack in the way that the gate does not bang against the mechanical stops whose it **must be provided**.



INSTALLATION OF THE GEAR MOTOR

Prepare a clear space raised from the ground of almost 40-50 mm. Provide for the exit of 2 flexible tubes for the passage of the electric cables in correspondence of the part of the access to the gear motor. The SUPER SIM will be able to be fixed to the ground or on the backing plate by 4 anchorages in correspondence of the predisposed holes A-B-C-D. The backing plate (if utilized) will be able to be fixed to the ground in correspondence to the predisposed holes 1-2-3-4.



MAINTENANCE

The SIM gear motor do not need particular maintenance, check periodically the security devices. The medium periodicity of maintenance is of 1 year; lubricate with oiler the wheels of the gate.

WARNINGS

- Handle the gear motor with care during the phases of the assembly and disassembly from their own seats to avoid incidents to who handles it or to eventual people present, the weight of the gear motor is of about Kg.9.
- In case of maintenance, disconnect the gear motor from the electric net by the differential switch.
- Abstain from any intervention and call an authorized technic.
- Do not touch the gear motor with wet hands.
- Do not draw the cable of the alimentation supply.
- In case that the gear motor has been utilized in intensive way, do not touch the motor if you are not sure that it is cooled.
- Keep away from the ray of action of the wing if it is in movement.
- Activate the wing only when it is completely visible.

The velocity of the sliding of the wing must not exceed 12m/min in compliance with the UNI 8612 norms.

For the installation stick to the anti-accidental legislation norms UNI 8612 and CEI in vigour.

Any way provide for a differential switch of 16A and threshold of 0,030 A

The installation must be effected only by qualified personal, respecting the lay nr.46 of the 5th March of the 1990 and successive modifications and integrations.

GUARANTEE - In compliance with legislation, the manufacturer's guarantee is valid from the date stamped on the product and is restricted to the repair or free replacement of the parts accepted by the manufacturer as being defective due to poor quality materials or manufacturing defects. The guarantee does not cover damage or defects caused by external agents, faulty maintenance, overloading, natural wear and tear, choice of incorrect product, assembly errors, or any other cause not imputable to the manufacturer. Products that have been misused will not be guaranteed or repaired. Printed specifications are only indicative. The manufacturer does not accept any responsibility for range reductions or malfunctions caused by environmental interference. The manufacturer's responsibility for damage caused to persons resulting from accidents of any nature caused by our defective products, are only those responsibilities that come under Italian law.