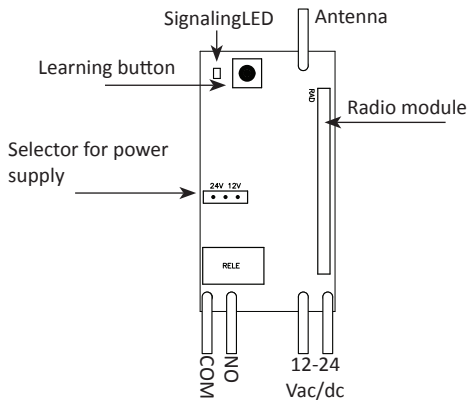


1 DESCRIPTION

Miniaturize receiver Rolling Code, 1 channel with dry contact relay output 1A a 30 Vdc / 0.5A a 42.4 Vac. Power supply 12-24 Vac/dc, frequency 433.92Mhz.



Code	Rolling Code
Max transmitters	1000
Power supply	12-24 Vac/dc
Consumption	45mA dc - 85mA ac @12V 50mA dc - 100mA ac @24V
Channels	1 (immediate or on time)
Frequency	433.92 MHz
Unobstructed range	80-250 m*
Relay contact	1A a 30 Vdc / 0.5A a 42.4 Vac
Temperature	-10...55°C

*The range is influenced by the type of transmitter, antenna and radio interferences

2 LEARNING OF TRANSMITTERS

1. Select the power supply with the jumper and power up the receiver.
2. Press the learning button. The LED will light up.
3. Press the button of the transmitter you want to memorize. The LED will blink 2 times for the correct learning. Repeat the procedure to memorize other transmitters. The receiver memorize only one button for every transmitter. In case of learning of a second button of the same transmitter, the receiver will remove the first button learnt.

3 MODALITY AND SELECTION OF THE FUNCTIONING

The functioning modalities of the relay are two::

1. IMMEDIATE: the relay is active as long as the radio signal is it as well, and the relay output is closed as long the transmitter button is pressed.
2. ON TIME: the relay, once activated, is active for a programmable time from 1 seconds up to 60 seconds.

In order of selecting the required functioning modality, proceed as follow:

1. Press and keep pressed the learning button for more than 10 seconds.
2. When the LED blinks fast, it is possible to release the button. In this moment the time is set to 0 seconds (immediate functioning).
3. Press and release the learning button to increase the time of activation of the relay. Each time you press and subsequent release, the LED blinks one time and the time is increased by 1 second, until a maximum of 60 seconds.
4. Press and keep pressed the learning button for more than 5 seconds.
5. When the LED blinks, it is possible to release the button. The time has been memorized.

During phase 3, after 20 seconds of inactivity, the receiver exits from the function, by timeout, without saving settings and it will be set the immediate functioning.

4 REMOVE A TRANSMITTER

1. Go near the receiver.
2. Press and keep pressed the hidden button of the transmitter you want to remove.
3. Without releasing the hidden button press the first button of the transmitter.
4. The LED on the receiver will blink 4 times. When the LED goes off, transmitter is removed.

Do not make this procedure if near other receivers/automations, this procedure will remove the transmitter from every system into the range.

5 RESET

1. Cut power of the receiver.
2. Press and keep pressed the learning button of the receiver while giving power again.
3. When the LED goes off it is possible to leave the button. The receiver has been reset.

GUARANTEE

In compliance with legislation, the manufacturer's guarantee is valid from the date stamped on the product and is restricted to the repair or free replacement of the parts accepted by the manufacturer as being defective due to poor quality materials or manufacturing defects. The guarantee does not cover damage or defects caused by external agents, faulty maintenance, overloading, natural wear and tear, choice of incorrect product, assembly errors, or any other cause not imputable to the manufacturer. Products that have been misused will not be guaranteed or repaired. Printed specifications are only indicative. The manufacturer does not accept any responsibility for range reductions or malfunctions caused by environmental interference. The manufacturer's responsibility for damage caused to persons resulting from accidents of any nature caused by our defective products, are only those responsibilities that come under Italian law.